

APR 4920

REVERSIBLE VIBRATORY PLATE

A PERFORMER ON STEEP GRADES

The APR 4920 features good manoeuvrability and power with an 8.2 kw engine available to help with climbing and, ultimately, compaction. The machine performs at grades up to 30%. Working widths of 450 mm can be broadened with extensions of 75 mm and 150 mm. Engine unit is completely covered by a durable and protective engine hood that offers wide openings for great accessibility when servicing the machine.

INNOVATIVE HANDLE

- The low vibration handle reduce stress on the operator.
- Round handle for optimized grip for all individual operator
- Opening in handle prevents the machine from getting damaged by lifting on unsuitable positions

MAKES THE GRADE

- Overcomes grades between 30% and 35%.
- Remains fastest machine on the market.

READY TO RENT

- Low-cost upkeep.
- Good match for many applications.
- Easy for new users to operate.

TWIN-SHAFT EXCITER UNIT

- Shaft positioning enables the operator to easily change directions.
- Smooth variable hydrostatic unit allows machine to move easily in forward and reverse.
- "On-the-spot" vibration can be utilised in particularly challenging areas.

DURABLE

- Engine cover to protect all components from dust and dirt.
- Well-protected, robust centrifugal clutch with wear-resistant V belt.
- Service-friendly exciter unit with long lifetime.
- Fresh air suction behind the machine leads to longer lifetime

OPTIONAL TECHNOLOGY

- ACE^{econ} continuously measures and monitors the compaction level

APPLICATIONS

- Earthwork and paving applications
- Road and rail track construction
- Compaction work in narrow trenches, confined areas
- Landscape and gardening
- Foundation work
- Sensitive surfaces (with optional rubber mats for stone protection)

AMMANN

TECHNICAL SPECIFICATIONS
APR 4920 REVERSIBLE VIBRATORY PLATE

WEIGHT & DIMENSIONS

| | DIESEL |
|------------------------------|-------------------|
| MACHINE WEIGHT | 391 kg (862 lb) |
| WITH EXTENSION PLATES 75 MM | 413 kg (910 lb) |
| WITH EXTENSION PLATES 150 MM | 424 kg (935 lb) |
| A BASE PLATE LENGTH | 450 mm (17.7 in) |
| B MACHINE LENGTH | 898 mm (35.3 in) |
| C WITH HANDLE | 1485 mm (58.5 in) |
| D MACHINE HEIGHT | 817 mm (32.2 in) |
| E HANDLE HEIGHT (WORK) | 1000 mm (39.4 in) |
| F HANDLE HEIGHT (TRANSPORT) | 1285 mm (50.6 in) |
| G MACHINE WIDTH | 450 mm (17.1 in) |

ENGINE

| | |
|------------------|-------------------|
| ENGINE | Hatz 1B40 |
| FUEL | Diesel |
| ENGINE OUTPUT | 9 HP / 6.6 kW |
| AT RPM | 2900 |
| FUEL CONSUMPTION | 1.6 l/h (0.4 gal) |

COMPACTION FORCES

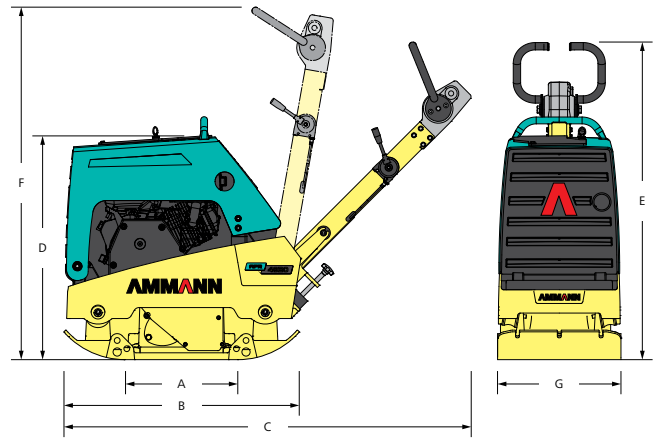
| | |
|---|---|
| MAX. VIBRATION FREQUENCY | 65 Hz (3900 vpm) |
| MAX. CENTRIFUGAL FORCE | 49 kN (11 lbf) |
| WORKING SURFACE | 845 m ² /h (9095 ft ² /h) |
| WITH EXTENSION PLATES 75 MM | 1115 m ² /h (12002 ft ² /h) |
| WITH EXTENSION PLATES 150 MM | 1395 m ² /h (15016 ft ² /h) |
| MAX. COMPACTION DEPTH (DEPENDENT ON GROUND CONDITIONS) | 60 cm (24 in) |

MISCELLANEOUS

| | |
|---------------------------|---------------|
| SPEED | 0–35m/min |
| FUEL TANK | 5 l (1.1 gal) |
| GRADEABILITY | 30 % |
| MAX. INCLINE TO ALL SIDES | 25 ° |

STANDARD EQUIPMENT

- Foldable cover allows easy maintenance and assures good engine protection
- Sturdy protection frame with central lifting point
- Powerful and reliable petrol or diesel engine
- 2-shaft exciter with long service intervals
- Well protected, sturdy centrifugal clutch with wear resistant V-Belt
- 3 year extended warranty program



OPTIONAL EQUIPMENT

- Transport wheels
- Vulcollan mat for applications on paving stones
- Electric starter (Diesel engine)
- Hour meter
- Extension plates
- ACE^{econ}

For additional product information and services please visit:
www.ammann-group.com

Specifications are subject to change.
MSS-1057-02-EN | © Ammann Group

AMMANN