

# SV400-2 Series

## Vibrating Roller

Medium-size Vibrating Rollers Realize Economical, Efficient  
Compaction for Small to Medium Earth-moving Projects



SV400D-2  
Smooth drum  
Operating weights 7.35 ton  
(16,210 lb)

SV400TF-2  
Removable smooth drum shell  
Gross weights 8.9 ton  
(19,620 lb)



The above photo(s) may contain option equipments and/or attachments.

# SAKAI®

# Selected quality components provide outstanding reliability under harshest conditions.

## Features

### ☆ Excellent performance

- Well-balanced front and rear weight distribution contributes to excellent traction and slope climbing ability.
- Three basic drum types are available; smooth drum, padfoot drum and smooth-to-padfoot quick-change combination drum.
- An optimal selection of drum type and setting of dual-frequency dual-amplitude vibration system allows the SV400 roller to handle different types of material efficiently under a wide variety of working conditions.
- The hydrostatic transmission offers variable speed ranges and an ideal speed is easily selected for either working or transit.

### ☆ Easy operation and riding comfort

- Despite powerful vibration, the chassis and operator are fully protected from vibration thanks to SAKAI's patented, unique vibration isolation system.
- Due to the rubber isolator mounted operator deck, the operator's riding comfort is excellent, and electrical instruments and gauges are free from vibration.
- The vibration ON-OFF switch located on the forward-reverse lever facilitates timely vibration control.
- All control and instruments are ergonomically arranged in order to reduce operator fatigue.
- A cushioned, adjustable bucket seat with arm rests is standard.

### ☆ High safety standards

- The roller is equipped with dual independent braking systems. The primary brake is hydrostatic and applied through putting the forward-reverse lever in its "NEUTRAL" position. The three-way secondary braking system is a mechanical spring-applied, hydraulically released type (SAHR) that can be operated either through a push button or pedal or automatically through engine or hydraulic system failure.
- The overall machine design provides the operator with excellent all-around visibility.

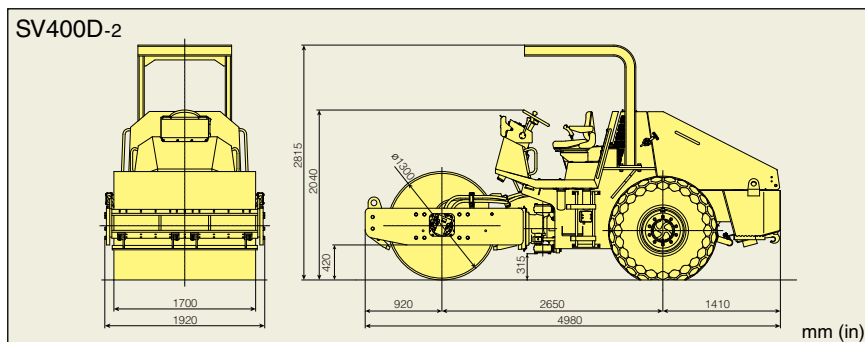
### ☆ Excellent serviceability

- The engine and hydraulic components are enclosed in a compartment. The engine hood opens fully for easy access to engine and hydraulic components for service and maintenance.
- The hydraulic system includes conveniently located pressure gauge ports.
- Large ball bearing and taper bearings are employed in the center-pin mechanism to prolong service life and lubrication intervals.
- The vibrator bearing lubrication system keeps lubricating bearings even during hillside operation.

### ☆ Standard equipment and many options

- Standard equipment includes instruments, gauges, scrapers for both directions, back-up alarm, horn.
- The quiet, high quality diesel engine complies with current EPA emission standards.
- Many options are available; Rops canopy lights and mirrors.

## Dimensions



## Specifications

MODEL	SV400D-2	SV400T-2	SV400TF-2	SV400TB-2	SV400FB-2
<b>WEIGHTS</b>					
Gross weight (w.ROPS) kg (lb)	7,350 (16,205)	7,600 (16,755)	8,900 (19,625)	8,050 (17,745)	9,250 (20,390)
Load on front kg (lb)	3,500 ( 7,715)	3,750 ( 8,265)	5,050 (11,135)	4,380 ( 9,655)	5,630 (12,410)
Load on rear kg (lb)	3,850 ( 8,490)	3,850 ( 8,490)	3,850 ( 8,490)	3,670 ( 8,090)	3,620 ( 7,980)
<b>DIMENSIONS</b>					
Overall length mm (in)	4,980 (196)	5,000 (197)		5,330 (210)	
Overall width mm (in)		1,920 (76)		2,250 (89)	
Overall height mm (in)	2,815 (111)	2,835 (112)	2,850 (112)	2,835 (112)	2,850 (112)
Wheelbase mm (in)		2,650 (104)			
Rolling width mm (in)		1,700 (67)			
Ground clearance mm (in)	315 (12.5)	325 (13.0)	340 (13.5)	325 (13.0)	340 (13.5)
Curb clearance mm (in)	420 (16.5)	435 (17.0)	450 (17.5)	425 (17.0)	445 (18.0)
<b>SPEED (F &amp; R)</b>					
Low km / h (mph)			0 - 6 (0 - 3.7)		
High km / h (mph)			0 - 10 (0 - 6.2)		
<b>VIBRATING POWER</b>					
Frequency Hz (vpm)			L : 38 (2,300) H : 30 (1,800)		
Centrifugal force (Max) kN (kgf)	L : 93 (20,945) H : 118 (26,455)		L : 103 (23,150) H : 127 (28,660)		
<b>MIN. TURNING RADIUS</b> m (in)	4.9 (193)				
<b>GRADABILITY</b> % (°)	62 (32)		50 (26)	59 (31)	48 (25)
<b>ENGINE</b>					
Model	DEUTZ / TCD2011L04W				
Type	Diesel, Water-cooled, 4 cycle, 4 cylinder, with turbo charger				
Piston displacement L (cu.in)	3.619 (221)				
Rated output kW (HP) / min <sup>-1</sup>	74.9 (100) / 2,300				
Electric system battery V (CCA x pcs)	12 (620 x 1)				
<b>POWER LINE</b>					
Transmission	Hydrostatic transmission				
Differential	Auto lock type				
Final drive	Planetary gear				
<b>VIBRATING SYSTEM</b>					
Transmission	Hydrostatic transmission				
Vibrator	Eccentric shaft type				
<b>BRAKE SYSTEM</b>					
Service brake	Hydrostatic and mechanical type				
Parking brake	Mechanical, type				
<b>STEERING SYSTEM</b>	Hydraulic type (Articulated type)				
<b>ROLL &amp; TIRES</b>					
Use	Front: roll Rear: tire		Vibrate & Drive Drive 2		
Dimensions					
Front roll: width x dia. mm (in)	1,700 x 1,300 (67 x 51)	1,700 x 1,350 (67 x 53)	1,700 x 1,400 (67 x 55)	1,700 x 1,350 (67 x 53)	1,700 x 1,400 (67 x 55)
Number of pads	-		140		
Pad height mm (in)	-		75 (3)		
Tire size	16.9 - 24 - 6PR				
Suspension system	Rubber damper type				
Front: roll	Rigid				
Rear: tire	Rigid				
<b>FLUID CAPACITY</b>					
Fuel tank L (gal)			180 (48)		
Hydraulic oil tank L (gal)			50 (13)		

\* Specifications are subject to change without notice.



SAKAI HEAVY INDUSTRIES, LTD. obtain the certification of quality management system ISO9001.



**SAKAI HEAVY INDUSTRIES, LTD.**

HEAD OFFICE: 1-4-8, SHIBA DAIMON, MINATO-KU, TOKYO JAPAN

TELEPHONE: +81-3-3431-9971

FACSIMILE: +81-3-3436-6212

URL: <http://www.sakainet.co.jp/english/>

2011.05.dateonly©